



WALLACE

Conquering the market

From the very first glance, the **WALLACE** bottle – just like the name of the famous Scottish « Braveheart » expresses a highly distinctive personality.

The individuality of this model lies in the perfect harmony of its outlines : the attractive curved lines of the body combined with the soft shoulders.

The result is in line with the best creative trends for Premium Spirits of all nature.

WALLACE

TECHNICAL DATA SHEET

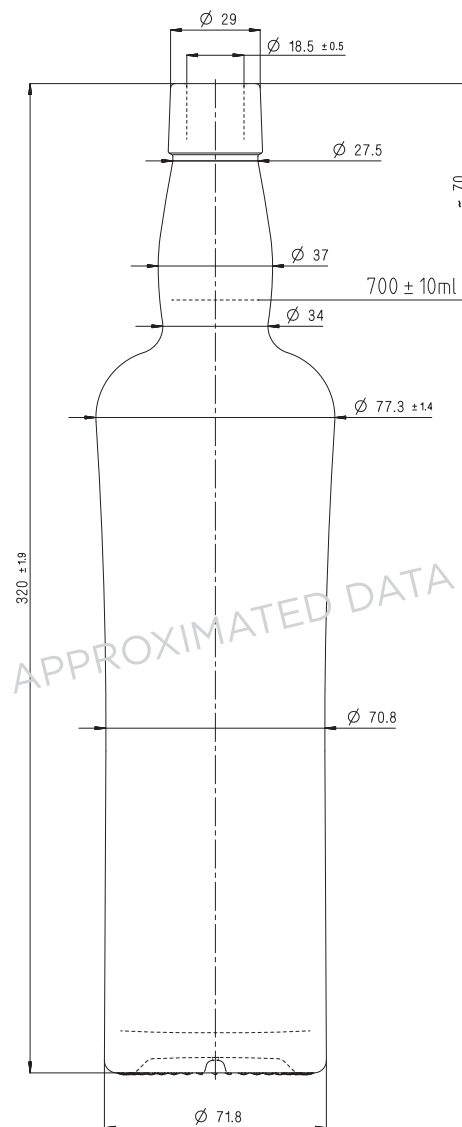
Capacity	700 ml
Weight of glass	650 gr
Finish	Extra high cork mouth finish
Total height	320 mm
Body diameter	71,8 mm

PACKING WITH DIVIDERS

Number of bottles per layer	168
Number of layers	6
Number of bottles per pallet	1008
Overall height	2,10 m
Pallet weight	760 kg

MAIN FEATURES

- Sizes: **700 ml, 750 ml**
- Colour: **Extra white flint**
- Quality standard: **Super premium**
- Glass base thickness: **Around 13 mm**
- **Base locator for decoration**
- **Registered design**



Bottom view

