



DIAMANDO

Let it shine!

Shine with **DIAMANDO** bottle and its square section, its tapered body and rounded panels. Let the white flint glass shine as a precious stone! Let the content of your product shine with the play of the angles and the thick base.

DIAMANDO sublimates all the colours of the rainbow.

DIAMANDO

TECHNICAL DATA SHEET

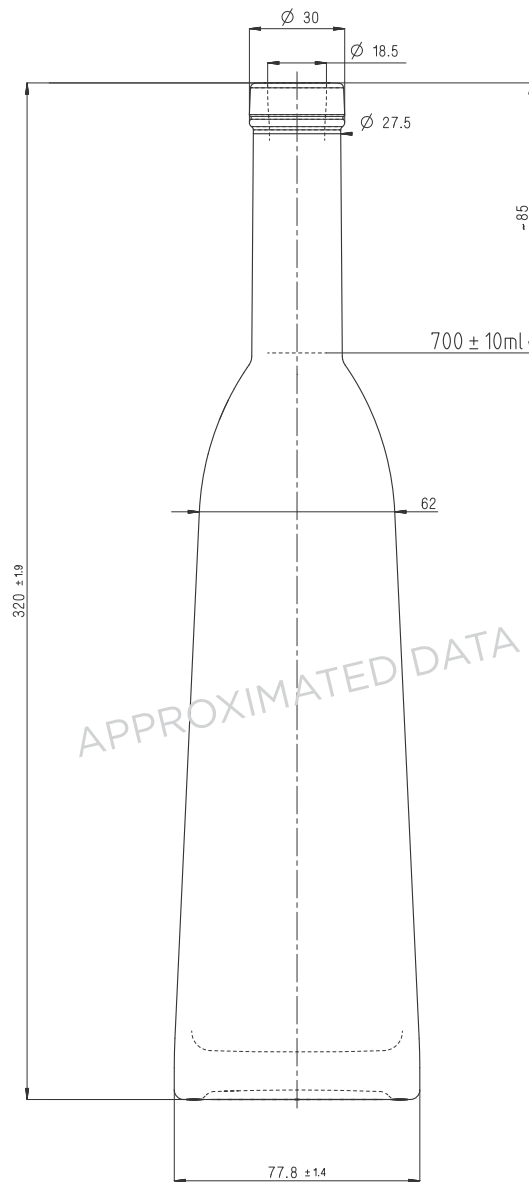
Capacity	700 ml
Weight of glass	700 gr
Finish	Omnibus for cork and GPI 28/400
Total height	320 mm (cork version)
Base section	77,8 X 77,8 mm

PACKING WITH DIVIDERS

Number of bottles per layer	168
Number of layers	6
Number of bottles per pallet	1008
Overall height	2,08 m
Pallet weight	755 kg

MAIN FEATURES

- Sizes: **700 ml, 750 ml**
- Colour: **Extra white flint**
- Quality standard: **Super premium**
- Glass base thickness: **Around 15 mm**
- **Registered design**



Bottom view

